

APPLICATION:

PRODUCT NAME:

PRE-RINSE SPRING STYLE WALL MOUNT  
WITH WALL BRACKET & ADD-ON FAUCET

JOB NAME:

\_\_\_\_\_ SPECIAL CONFIGURATION

QUANTITY:

ITEM NO.:

MODEL:

- 34355 WITH 6" SWING SPOUT
- 34363 WITH 8" SWING SPOUT
- 34371 WITH 10" SWING SPOUT
- 34398 WITH 12" SWING SPOUT
- 34401 WITH 14" SWING SPOUT
- 34428 WITH 16" SWING SPOUT

OPTIONS OR MODIFICATIONS:

- SUPPLY LINES (24" OR 36") CIRCLE LENGTH
- BACKFLOW PREVENTER
- BRUSH
- VANDAL RESISTANT KIT
- HANDLES (CROSS OR WRIST) CIRCLE STYLE
- OTHER \_\_\_\_\_

FEATURES:

MAIN CONTROL VALVE

- \* WALL MOUNT
- \* ECCENTRICS ADJUST FROM 7-1/2" TO 8-1/2"
- \* INTERNAL SPRING LOADED CHECK VALVES
- \* SWIVELLING SEAT DISKS
- \* HOT SIDE STEM - RIGHT HAND CHECK
- \* COLD SIDE STEM - LEFT HAND CHECK
- \* STAINLESS STEEL SEATS, SEAT SCREWS AND HANDLE SCREWS

ADD-ON CONTROL VALVE

- \* STEM - RIGHT HAND SWIVEL
- \* HOT INDEX BUTTON
- \* SWIVELLING SEAT DISKS
- \* STAINLESS STEEL SEATS, SEAT SCREWS AND HANDLE SCREWS.

HOSE

- \* 36" LENGTH
- \* STAINLESS STEEL END FITTINGS
- \* STAINLESS STEEL EXTERNAL JACKET
- \* 3-PLY FIBER REINFORCED INTERNAL RUBBER HOSE
- \* REPAIRABLE IN FIELD WITH SIMPLE TOOLS

ULTRA SPRAY VALVE

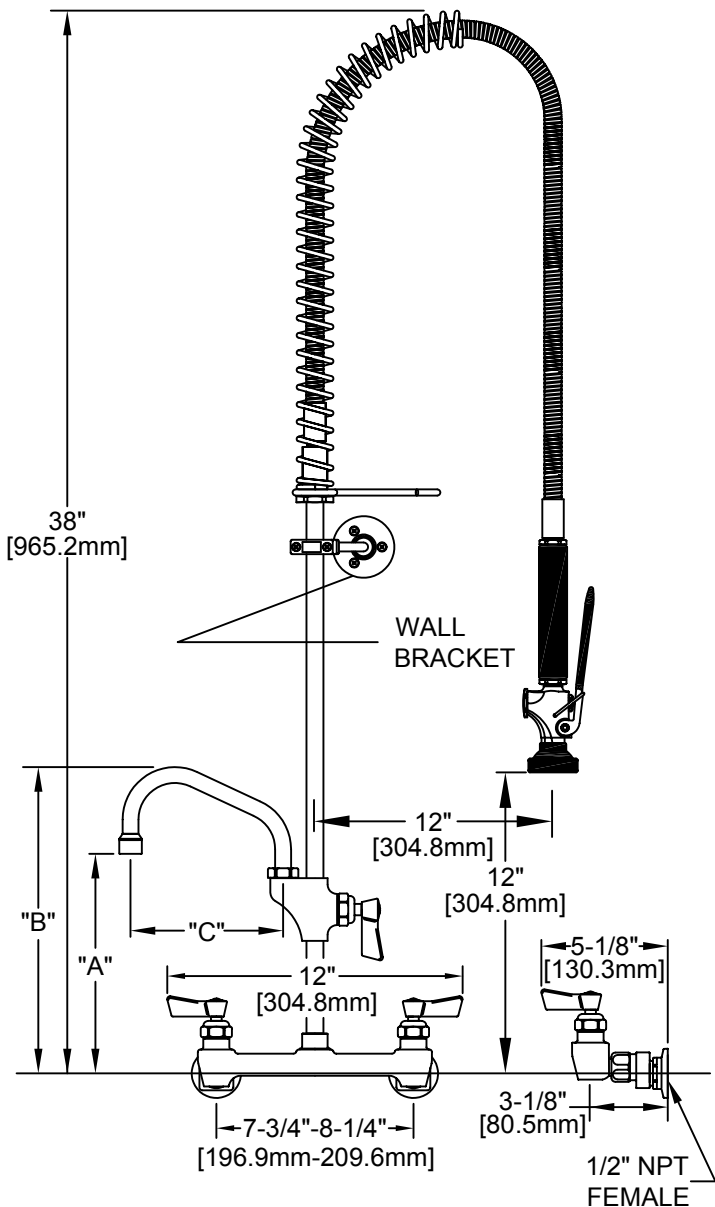
- \* LOWEST ENERGY USER - 1.15 GPM @ 60 PSI
- \* CLEANS FASTER - TEST PROVEN
- \* ENGINEERED TO LAST - NO 'O' RINGS TO LEAK
- \* INTERCHANGEABLE - FITS ALL BRANDS

WALL BRACKET

- \* ADJUSTS FROM 2" TO 12"

SYSTEM LIMITS

- \* TEMP: 40°F MIN. TO 140°F MAX. STATIC
- \* PRESSURE 200 PSI MAX. STATIC
- \* SHIPPING WEIGHT: 15.0 LBS



ROUGH-IN	MODEL	DIM "A"	DIM "B"	DIM "C"
<p>1/2" NPT MALE*</p> <p>8" ± 1/4" [203.2 ± 6.4mm]</p>	34355	8-3/4" [221.3mm]	12-3/8" [313.3mm]	6" [152.4mm]
	34363	9" [227.6mm]	12-7/8" [326.0mm]	8" [203.2mm]
	34371	9-5/8" [243.5mm]	13-3/8" [340.3mm]	10" [254.0mm]
	34398	10-1/4" [259.4mm]	13-7/8" [351.4mm]	12" [304.8mm]
	34401	10-5/8" [275.0mm]	14-3/4" [373.7mm]	14" [355.6mm]
	34428	11-1/2" [292.1mm]	15-3/8" [389.5mm]	16" [406.4mm]

\*NIPPLES NOT INCLUDED